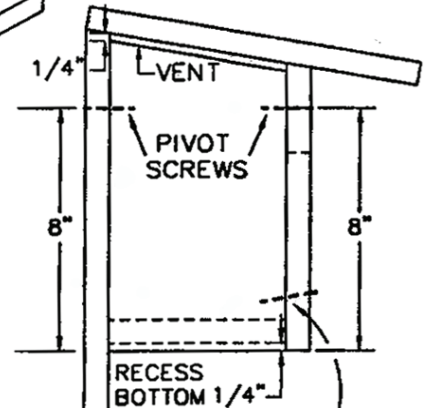
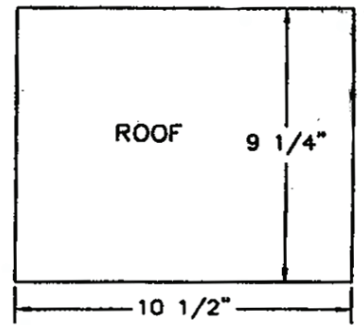
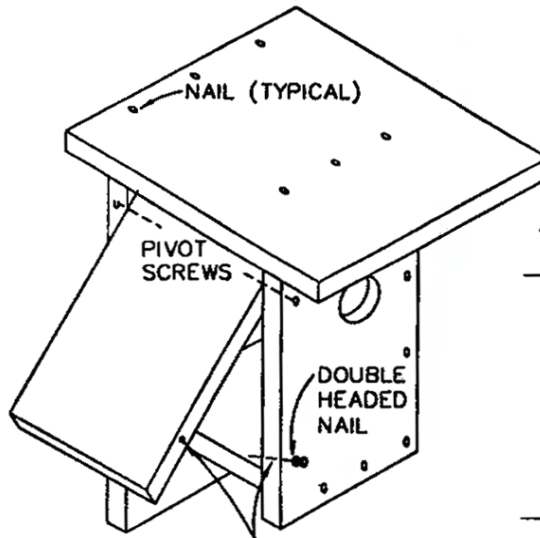
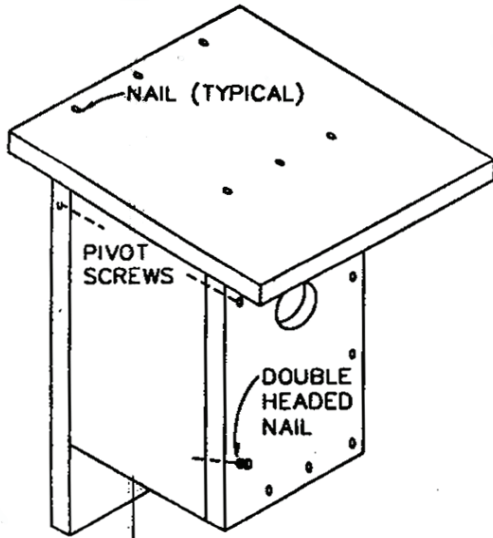




Eastern Bluebird Nest Box

The North American Bluebird Society



MATERIALS LIST

STANDARD 1" X 6" NOMINAL - 4 FEET LONG
(ACTUAL SIZE 3/4" X 5 1/2")

STANDARD BOARD 1" X 10" NOMINAL - 10 1/2" LONG
(ACTUAL SIZE 3/4" X 9 1/4")

HOLE CUTTER 1 1/2" DIAMETER

1 3/4" GALVANIZED NAILS - APPROX. 20

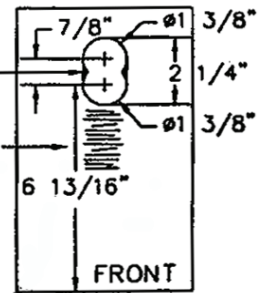
1 3/4" GALVANIZED SCREW FOR PIVOT POINT - 2

DOUBLE HEADED NAIL FOR HOLDING DOOR CLOSED - 1

NOTE: ONE 8' 1" X 6" BOARD MAKES TWO BOXES.

DRILL HOLE THROUGH "FRONT" AND SIDE OF DOOR TO HOLD DOOR CLOSED WITH NAIL.

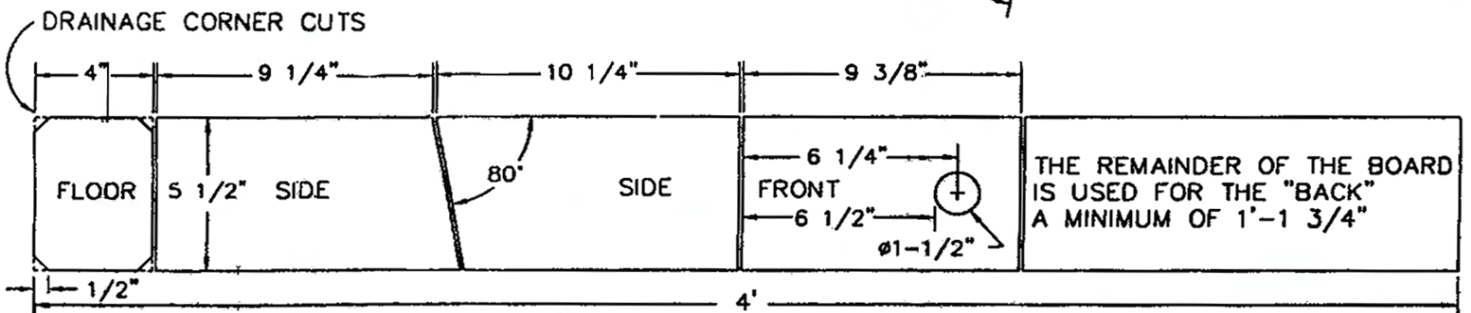
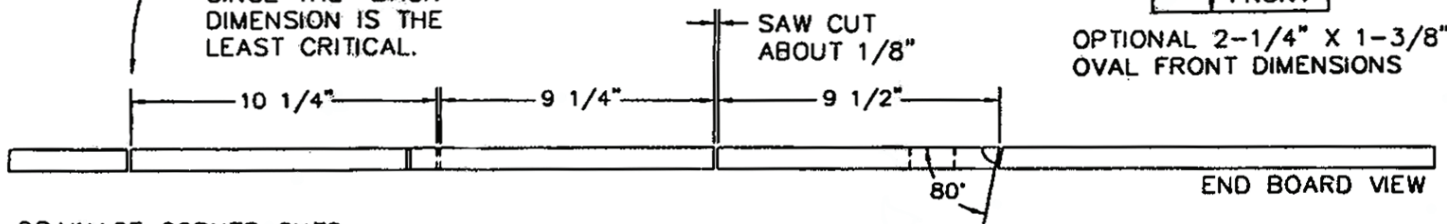
DRILL TWO 1-3/8" HOLES AND CHISEL SIDES FLAT TO OVAL



BELOW ENTRANCE ON BOTH SIDES MAKE SCRATCHES INTO WOOD WITH NAIL FOR CLIMBING TRACTION

OPTIONAL 2-1/4" X 1-3/8" OVAL FRONT DIMENSIONS

START CUTTING AT THE "FLOOR" AND WORK TOWARDS THE "BACK" SINCE THE "BACK" DIMENSION IS THE LEAST CRITICAL.



THE REMAINDER OF THE BOARD IS USED FOR THE "BACK" A MINIMUM OF 1'-1 3/4"

For membership information, send a note and a self addressed stamped envelope to: North American Bluebird Society, P.O. Box 74, Darlington, WI 53530-0074. For questions send e-mail to nobluebird@aol.com or visit NABS' website at <http://www.cobleskill.edu/nabs/>.



TIPS FROM THE SPRING ISLAND TRUST FOR BLUEBIRD BOX TRAILS

Materials

Cypress (cheaper) or cedar wood preferred for box construction due to how long it lasts. Use screws to make future repairs easier.

Predator Guard

The predator guard is 10" stove pipe cut in 20" lengths with 10" caps (ordered from home improvement store). The ends of the pipe need to be crimped by using pliers along the top edge for the caps to fit. Use a step bit to drill the hole in the cap.

House Installation

Houses are set up by driving a 5' rebar into the ground. Use a 5', 3/4" electrical conduit over that. The guard is held in place with A/C conduit hanger wire cut to 8". A hole is drilled in the 3/4" electrical conduit just below the house, the hanger wire inserted, and then the guard lower from above. The house is then attached to the pole using 3/4" conduit clamps.

